



LU lock-up valve monitor the valve supply pressure of and blocks it in the last position in case of pressure loss or pressure drops below the preset value.

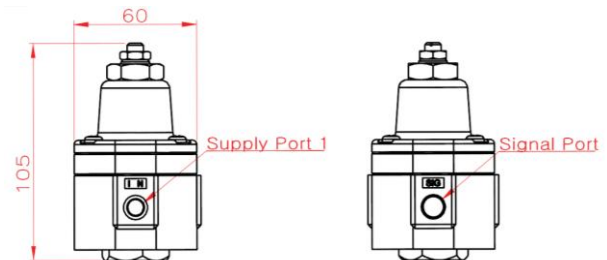
Features

- ▶ Rugged aluminum or 316 die-cast housing
- ▶ Stable setting pressure
- ▶ No electrical part
- ▶ High flow capacity
- ▶ Single or double acting

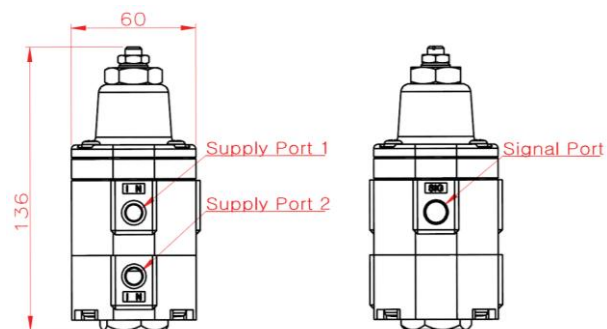
Specifications

Model	LUS	LUD
Acting	Single	Double
Fluid	Air	
Signal pressure	1.4 ~ 7 bar	
Line / Proof pressure	10 bar	
Temperature	20 ~ +70°C (standard)	
Pneum. connection	NPT ¼	
Hysteresis	0.1 bar	
Flow capacity (Cv)	0.9	
Body material	Aluminium	
Weight	0.65 kg	0.8 kg

Dimensions



<SAR-S>



Codification

LU	Acting	Pneu. connection	Temperature
Description	Code		
Acting	S : Single D : Double		
Pneu. connection	1 : PT (Rc) ¼ 2 : NPT ¼		
Temperature	1 : -20~70°C 2 : -20~120°C		